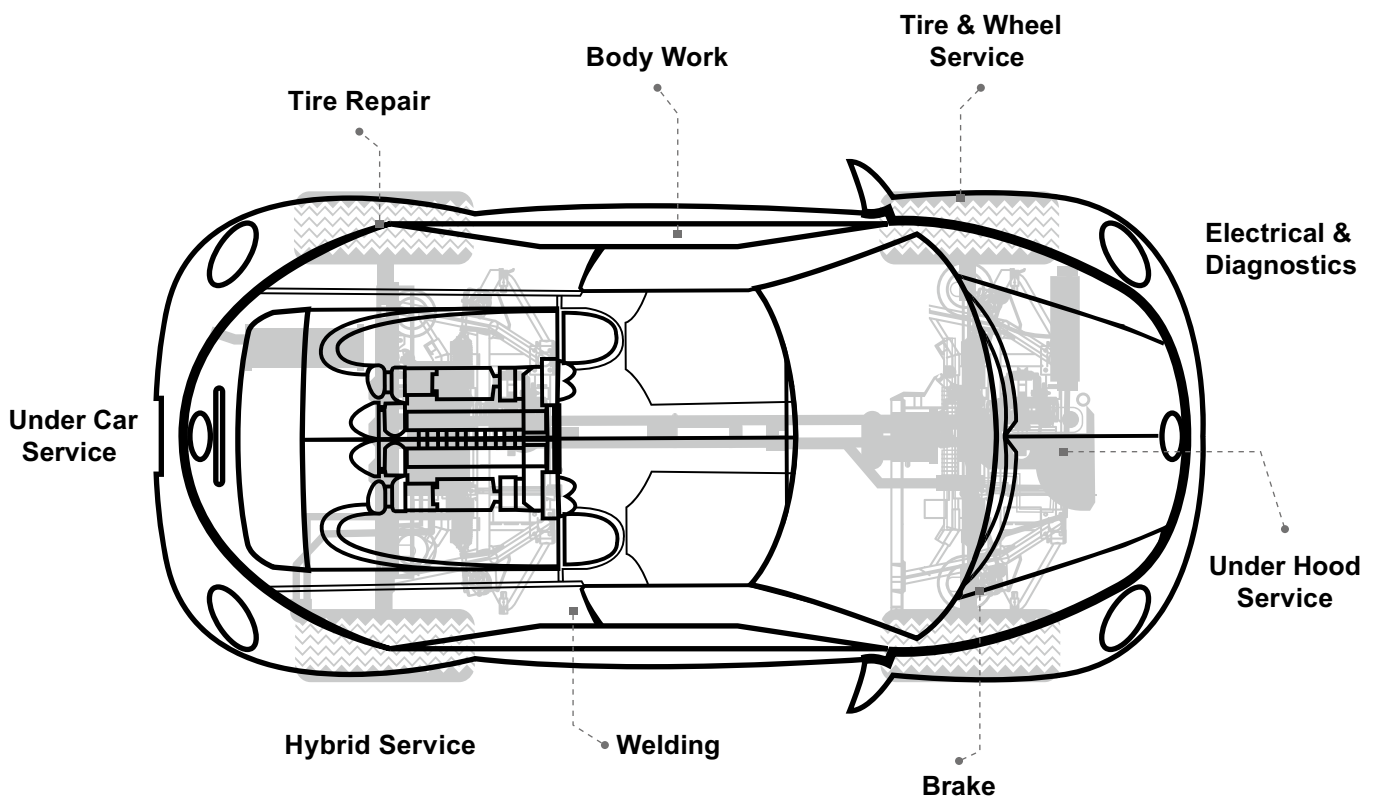


4

Automotive Tools





General Tools

Automatic Center Punch	138
Triple Square Drive Tool Set	138
Stubby Bit Socket Set	139
Pick and Hook Set	140
Scraper Set	141
Seal Puller	142

Spark Plug Tools

Spark Plug Socket	143
Deep Spark Plug Socket	143
T-Handle Spark Plug Socket	144
Universal T-Handle Spark Plug Socket	144
Universal Joint Spark Plug Socket (Glow Plug)	144

Tire Service Tools

1/2" Torque Extension (Color Ring)	145
Square Impact Socket	145
Budd Wheel Impact Socket	146
Axle Nut Impact Sockets	147
Wheel Protector Impact Socket	148
Extra Thin Wall Impact Socket	150
Valve Tool	151

Body Shop

Body Trim Tool Set	151
--------------------	-----

Engine Service

Drain Plug Bits	152
Oil Filter Impact Socket	152
Crowfoot Wrench	153
Crowfoot Wrench Set	153

GENERAL TOOLS

AUTOMATIC CENTER PUNCH

AUTOMATIC CENTER PUNCH



Item No.	S	G
PZSU50	5"	74.00
PZSU60	6"	132.00

AUTOMATIC CENTER PUNCH



Item No.	2PC-04
TRAY	L:190 × W:90 mm
WEIGHT	250 (g)

CONTENT	
PZSU50	
PZSU60	

TRIPLE SQUARE DRIVE TOOL SET

8PC 3/8"DR. TRIPLE SQUARE DRIVE TOOL SET



3/8"



Item No.	8PC-35C
----------	---------

CONTENT	
3/8"DR. TRIPLE SQUARE DRIVE TOOL	4, 5, 6, 8, 10, 12, 14, 16

10PC 1/4"DR. STAR STUBBY DRIVER SET



1/4"



Item No.	10PC-S2T
BLACK NYLON SOCKET HOLDER	L:215 mm
WEIGHT	156 (g)

CONTENT	
1/4"DR. STAR STUBBY DRIVER	T10, T15, T20, T25, T27, T30, T40, T45, T47, T50

STUBBY BIT SOCKET SET

9PC 1/4" & 3/8"DR. HEX STUBBY BIT SOCKET SET (SAE)



Item No.	9PC-63S2A-HXS
ALUMINIUM HOLDER	L:190 mm
WEIGHT	370 (g)

CONTENT	
1/4"DR. HEX STUBBY BIT SOCKETS	6, 7, 8, 10 mm
3/8"DR. HEX STUBBY BIT SOCKETS	12, 14, 17, 18, 19 mm

9PC 1/4" & 3/8"DR. HEX STUBBY BIT SOCKET SET (mm)


  



Item No.	9PC-63S2A-HXM
ALUMINIUM HOLDER	L:190 mm
WEIGHT	370 (g)

CONTENT	
1/4"DR. HEX STUBBY BIT SOCKETS	1/4", 5/16", 3/8"
3/8"DR. HEX STUBBY BIT SOCKETS	7/16", 1/2", 9/16", 5/8", 11/16", 3/4"

9PC 1/4" & 3/8" & 1/2"DR. TRIPLE SQUARE STUBBY BIT SOCKET SET



Item No.	9PC-67A
ALUMINIUM HOLDER	L:190 mm
WEIGHT	325 (g)

CONTENT	
1/4"DR. TRIPLE SQUARE STUBBY BIT SOCKETS	M4, M5, M6, M8
3/8"DR. TRIPLE SQUARE STUBBY BIT SOCKETS	M10, M12
3/8"DR. TAMPERPROOF TRIPLE SQUARE STUBBY BIT SOCKETS	MT14
1/2"DR. TAMPERPROOF TRIPLE SQUARE STUBBY BIT SOCKETS	MT16, MT18

10PC 1/4" & 3/8"DR. STAR STUBBY BIT SOCKET SET



Item No.	10PC-76A2-3T
ALUMINIUM HOLDER	L:190 mm
WEIGHT	190 (g)

CONTENT	
1/4"DR. STAR STUBBY BIT SOCKETS	T10, T15, T20, T25, T27, T30
3/8"DR. STAR STUBBY BIT SOCKETS	T40, T45, T47, T50

10PC 1/4" & 3/8"DR. TAMPERPROOF STAR STUBBY BIT SOCKET SET



Item No.	10PC-76A2-3TH
ALUMINIUM HOLDER	L:190 mm
WEIGHT	190 (g)

CONTENT	
1/4"DR. TAMPERPROOF STAR STUBBY BIT SOCKETS	TT10, TT15, TT20, TT25, TT27, TT30
3/8"DR. TAMPERPROOF STAR STUBBY BIT SOCKETS	TT40, TT45, TT47, TT50

Socket & Wrench

Impact Socket

Air Chisels

Automotive Tools

GENERAL TOOLS

PICK AND HOOK SET

4 WAY PICK SET



Item No.	6PC-07A
POUCH	L:150 x W:70 (mm)
WEIGHT	600 (g)

CONTENT
HANDLE
STRAIGHT PICK(82L)
90° PICK(82L)
OFFSET PICK(82L)
HOOK PICK(82L)

>> Remove noses, moldings, clips, clamps, seals, o-ing, cotter pins, gaskets.

4PC HOOK AND PICK SET (159L)



Item No.	4PC-05D7
PS. TRAY	L:230 x W:150 x H:26 mm
WEIGHT	600 (g)

CONTENT
STRAIGHT PICK(159L)
90° PICK(159L)
OFFSET PICK(159L)
HOOK PICK(159L)

>> Remove noses, moldings, clips, clamps, seals, o-ing, cotter pins, gaskets.

4PC HOOK AND PICK SET (233L)



Item No.	4PC-05B7
PS. TRAY	L:320 x W:130 x H:19 mm
WEIGHT	1500 (g)

CONTENT
STRAIGHT PICK(233L)
90° PICK(233L)
OFFSET PICK(233L)
HOOK PICK(233L)

>> Remove noses, moldings, clips, clamps, seals, o-ing, cotter pins, gaskets.

4PC HOOK AND PICK SET (380L)



Item No.	4PC-05A7
PS. TRAY	L:405 x W:206 x H:40 mm
WEIGHT	1750 (g)

CONTENT	
STRAIGHT PICK(380L)	
90° PICK(380L)	
OFFSET PICK(380L)	
HOOK PICK(380L)	

>> Remove noses, moldings, clips, clamps, seals, o-ring, cotter pins, gaskets.

4PC SEAL AND O-RING REMOVER SET



Item No.	4PC-82
COLOR CARD & SINGLE BLISTER	W:170 x H:305 mm
WEIGHT	583 (g)

CONTENT	
CONTOURED TIP	160 mm, 235 mm
SPOON TIP	160 mm, 235 mm

SCRAPER SET

PICK AND HOOK SERIES SET



Item No.	5PC-13A7
PS. TRAY	L:150 x W:70 (mm)
WEIGHT	600 (g)

CONTENT	
SHORT BLADE SCRAPER (219L)	
CARBON SCRAPER (265L)	
LONG BLADE SCRAPER (310L)	
COTTER KEY PULLER (239L)	
PICK & HOOK (197L)	

Socket & Wrench

Impact Socket

Air Chisels

Automotive Tools

GENERAL TOOLS

3PC SCRAPER SET



Item No.	3PC-13A7
PS. TRAY	L:380 x W:160 x H:40 mm
WEIGHT	660 (g)

CONTENT	
SHORT-BLADE SCRAPER	219mm
CARBON SCRAPER	265mm
LONG-BLADE SCRAPER	310mm

4PC DOOR SERVICE SET



Item No.	4PC-87A
CARDBOARD & SHRINKING WRAP	W:245 x H:275 mm
WEIGHT	917 (g)

CONTENT	
DOOR PANEL REMOVER, V GROOVE.	
DOOR PANEL REMOVER, U GROOVE.	
GM DOOR TRIM PAD REMOVER, V-NOTCH GROOVE.	
DOOR HANDLE TOOL.	

SEAL PULLER

AUTOMATIC TRANSMISSION FRONT SEAL PULLER



Item No.	L
BWMA120P	301.5x135

SHORT SEAL PULLER



Item No.	L
BWMA120SP	152.5 x 50.8

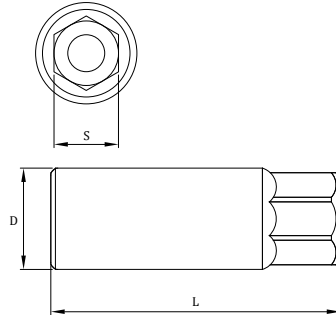


SPARK PLUG SOCKET

3/8"DR. SPARK PLUG SOCKET



3/8"



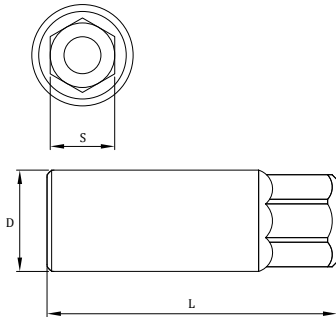
Item No.	S	L(mm)	D	G
ZS36214	14	65	20.0	74
ZS36216	16	65	22.0	90
ZS36217	17	65	23.8	110
ZS36218	18	65	24.8	112
ZS36219	19	65	26.8	130
ZS36221	21	65	27.4	135

Item No.	S	L(mm)	D	G
ZS36118	9/16"	65	20.0	72
ZS36120	5/8"	65	22.0	89
ZS36124	3/4"	65	25.8	130
ZS36126	13/16"	65	27.4	135

1/2"DR. SPARK PLUG SOCKET



1/2"



Item No.	S	L(mm)	D	G
ZS46120	5/8"	65	22.0	92
ZS46124	3/4"	65	26.8	130
ZS46126	13/16"	65	27.4	138

Item No.	S	L(mm)	D	G
ZS46216	16	65	22.0	91
ZS46217	17	65	23.8	110
ZS46218	18	65	24.8	125
ZS46219	19	65	26.8	130
ZS46221	21	65	27.4	139

DEEP SPARK PLUG SOCKET

3/8"DR. DEEP SPARK PLUG SOCKET (90L)

3/8"



Item No.	S	L	D	G
CKSPFA36214090	14.0	90	22	100
CKSPFA36216090	16.0	90	25	135
CKSPFA36218090	18.0	90	27	174
CKSPFA36221090	20.0	90	25	196

3/8"DR. DEEP SPARK PLUG SOCKET (250L)

3/8"

Item No.	S	L	D	G
CKSPFA36216250	16.0	250	22	311

1/2"DR. DEEP SPARK PLUG SOCKET (90L)

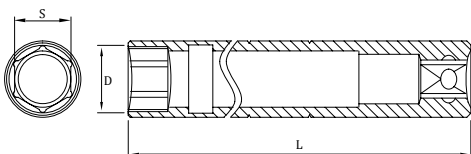
1/2"

Item No.	S	L	D	G
CKSPFA46216090	16.0	90	22	128
CKSPFA46218090	18.0	90	25	166
CKSPFA46221090	20.8	90	27	189

1/2"DR. DEEP SPARK PLUG SOCKET (250L)

1/2"

Item No.	S	L	D	G
CKSPFA46216250	16.0	250	22	306
CKSPFA46221250	20.8	250	27	446



Socket & Wrench

Impact Socket

Air Chisels

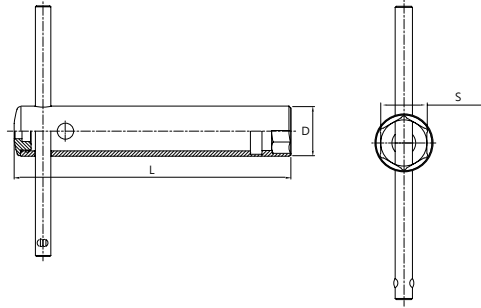
Automotive Tools

SPARK PLUG TOOLS

T-HANDLE SPARK PLUG SOCKET

T-HANDLE SPARK PLUG SOCKET

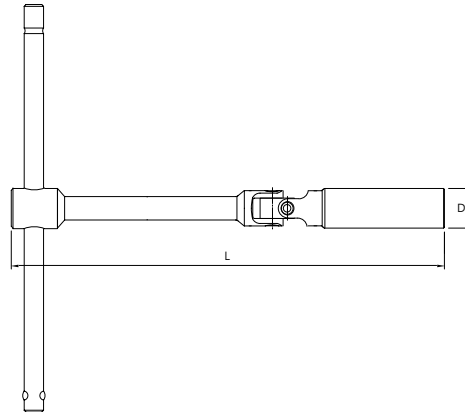
6



Item No.	S	L	D	G
KSPTFA16140	16	143.5	22.0	214
KSPTFA16300	16	303.5	22.0	405
KSPTFA21140	20.8	143.5	27.0	303
KSPTFA21300	20.8	303.5	27.0	609

UNIVERSAL T-HANDLE SPARK PLUG SOCKET

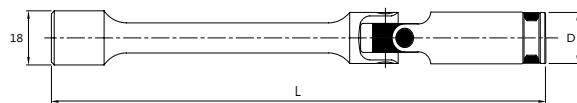
UNIVERSAL T-HANDLE SPARK PLUG SOCKET



Item No.	S	L	D	G
CKSPTUJUS16270	16	270	22	335
CKSPTUJUS16517	16	517	22	486
CKSPTUJUS18270	18	270	25	400
CKSPTUJUS19270	19	270	25.5	411
CKSPTUJUS21270	20.8	270	27.5	615
CKSPTUJUS21564	20.8	564	27.5	924

UNIVERSAL JOINT SPARK PLUG SOCKET (GLOW PLUG)

UNIVERSAL JOINT SPARK PLUG SOCKET



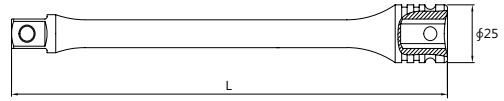
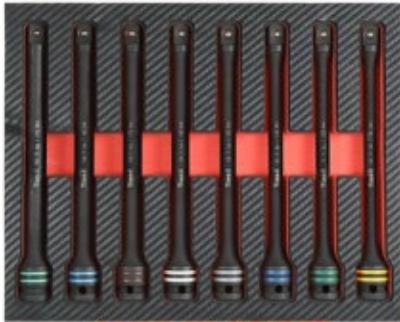
Item No.	L	S	D	G
CKUJSPX8D	175.5	8	12.0	118
CKUJSPX9D	175.5	9	13.0	120
CKUJSPX10D	175.5	10	14.5	125
CKUJSPX12B	155.5	12	17.0	120
CKUJSPX12AL	178.0	12	17.0	140

>> For the safe disassemble and assemble of glow plugs in difficult access area. Include rubber ring.

1/2" TORQUE EXTENSION (COLOR RING)

1/2"DR. TORQUE LIMITING IMPACT EXTENSION

1/2"

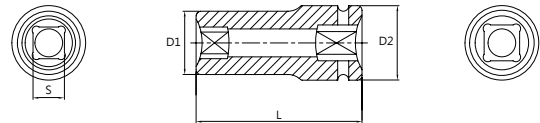


Item No.	Torque		Color	L
	ft/lbs	Nm		
CIXTA4150	150	200	SHALLOW GREEN	200
CIXTA4140	140	190	RED	200
CIXTA4120	120	160	GREEN	200
CIXTA4110	110	150	ORANGE	200
CIXTA4100	100	135	GRAY	200
CIXTA4090	90	120	AQUA BLUE	200
CIXTA4080	80	110	BLUE	200
CIXTA4075	75	100	WHITE	200
CIXTA4065	65	90	YELLOW	200

SQUARE IMPACT SOCKET

3/4"DR. SQUARE DEEP IMPACT SOCKET

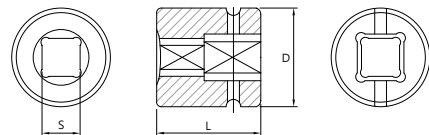
4 3/4"



Item No.	S	D1	D2	L
ILMED64217	17	34	40	90
ILMED64219	19	38	40	90
ILMED64220	20	40	40	90
ILMED64221	21	40	40	90

1"DR. SQUARE IMPACT SOCKET

4 1"



Item No.	S	L (mm)	D (mm)	G
IMED84126	13/16"	57	52	655
IMED84130	15/16"	57	52	624

Item No.	S	L (mm)	D (mm)	G
IMED84217	17	57	52	675
IMED84219	19	57	52	656
IMED84220	20	57	52	655
IMED84221	21	57	52	651

Socket & Wrench

Impact Socket

Air Chisels

Automotive Tools

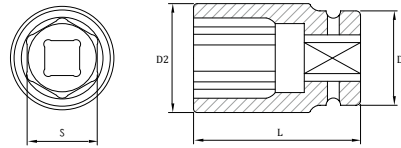
TIRE SERVICE TOOLS

BUDD WHEEL IMPACT SOCKET

1"DR. BUDD WHEEL DEEP IMPACT SOCKET



1"



Item No.	S	L (mm)	D1 (mm)	D2 (mm)	G
ILMED86148	1-1/2"	102	60	60	1350

Item No.	S	L (mm)	D1 (mm)	D2 (mm)	G
ILMED86233	33	90	52	53	942
ILMED86235	35	90	52	54	914
ILMED86238	38	92	52	57	970
ILMED86241	41	92	52	61	1060

5PC DEEP BUDD WHEEL IMPACT SOCKET SET



1"



Item No.	5PC-42A
BLOW CASE	L:357 × W:150 × H:83 mm
WEIGHT	5750 (g)

CONTENT	
1"DR. 6-POINT DEEP BUDD SOCKET	33, 35, 38, 41
1"DR. 6-POINT DEEP BUDD SOCKET (IN)	1-1/2"

11PC BUDD WHEEL TIRE IMPACT SOCKET SET



1"



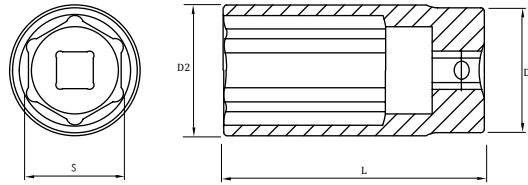
Item No.	11PC-35A
BLOW CASE	L:381 × W:287 × H:80 mm
WEIGHT	11.0 (kg)

CONTENT	
1"DR. 4-POINT SHALLOW BUDD IMPACT SOCKET	17, 21
1"DR. 4-POINT SHALLOW BUDD IMPACT SOCKET (IN)	13/16"
1"DR. 6-POINT DEEP BUDD IMPACT SOCKET	33, 35, 38, 41
1"DR. 6-POINT DEEP BUDD IMPACT SOCKET (IN)	1-1/2"
1"DR. 6-POINT DEEP THIN WALL IMPACT SOCKET (IN)	1-1/16", 1-1/8", 1-1/4"

AXLE NUT IMPACT SOCKETS

1/2"DR. AXLE NUT SOCKET (EXTRA LONG SOCKET)

6 **12** **1/2"**



6	12	S	L(mm)	D1(mm)	D2(mm)
DJLCM46228	DJLCM47228	28	90	38	40
DJLCM46229	DJLCM47229	29	90	38	40
DJLCM46230	DJLCM47230	30	90	40	42
DJLCM46231	DJLCM47231	31	90	40	42
DJLCM46232	DJLCM47232	32	90	40	44
DJLCM46233	DJLCM47233	33	90	40	45
DJLCM46234	DJLCM47234	34	90	40	46
DJLCM46235	DJLCM47235	35	90	40	48
DJLCM46236	DJLCM47236	36	90	40	49
DJLCM46238	DJLCM47238	38	90	40	51
DJLCM46239	DJLCM47239	39	90	40	53

5PC DEEP COMBINATION BUDD IMPACT SOCKET SET

4 **6** **1"**



Hex x Square

Design to remove both nut and stud

Item No.	5PC-42B-LS
BLOW CASE	L:355 x W:150 x H:80 mm
WEIGHT	5750 (g)

CONTENT	
1"DR. 6PT BUDD WHEEL DEEP IMPACT SOCKETS	33 mm
1"DR. DEEP COMBINATION BUDD WHEEL IMPACT SOCKETS	35(6PT) x 17(4PT)
	38(6PT) x 20(4PT)
	41(6PT) x 21(4PT)
	1-1/2"(6PT) x 13/16"(4PT)

8PC 1/2"DR. 12 POINT AXLE NUT SOCKET SET

12 **1/2"**



Item No.	8PC-111-12PT
BLOW CASE	L:320 x W:230 x H:72 mm
WEIGHT	5250 (g)

CONTENT	
1/2" DR. HEAVY-DUTY CR-MO SOCKETS	29, 30, 32, 34, 35, 36, 38, 39 mm

Socket & Wrench

Impact Socket

Air Chisels

Automotive Tools

TIRE SERVICE TOOLS



SOCKETS FOR ALLOY WHEELS

Deep impact sockets with protective plastic sleeves to prevent damage to polished chrome or alloy wheels.



WHEEL PROTECTOR IMPACT SOCKET

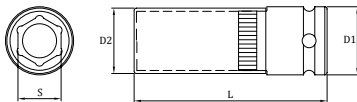
1/2"DR. NUT PROTECTOR IMPACT SOCKET



1/2"



BLUE YELLOW RED



Item No.	S	L (mm)	D1 (mm)	D2 (mm)	G	SLEEVE COLOR
IPCR46217	17	85	30	25.6	214	BLUE
IPCR46219	19	85	30	28.8	217	YELLOW
IPCR46221	21	85	30	30.8	239	RED
IPCR46222	22	85	30	32.3	257	GREEN
IPCR46223	23	85	30	33.3	260	PURPLE
IPCR46224	24	85	30	34.3	272	BROWN
IPCR46227	27	85	30	36.3	291	BLACK

Item No.	S	L (mm)	D1 (mm)	D2 (mm)	G	SLEEVE COLOR
IPCR46124	3/4"	85	30	28.8	217	DARK GREEN
IPCR46126	13/16"	85	30	30.8	243	PURPLE
IPCR46128	7/8"	85	30	32.3	250	GREEN
IPCR46130	15/16"	85	30	34.3	269	BROWN
IPCR46132	1"	85	30	36.3	291	SILVER
IPCR46134	1-1/16"	85	30	38.3	310	BLACK

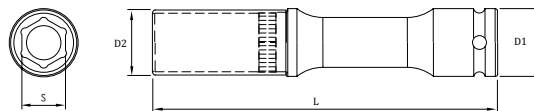
1/2"DR. NUT PROTECTOR IMPACT SOCKET



1/2"



BLUE YELLOW RED



Item No.	S	L (mm)	D1 (mm)	D2 (mm)	G	COLOR
IPLCR46217	17	150	30	25.6	368	BLUE
IPLCR46219	19	150	30	28.8	378	YELLOW
IPLCR46221	21	150	30	30.8	403	RED

3PC-1/2"DR. NUT PROTECTOR IMPACT SOCKET SET



1/2"

Item No.	3PC-03C-150L
BLOW CASE	L:240 x W:160 x H:52 mm
WEIGHT	1480 (g)

CONTENT	
1/2"DR. EXTRA-THIN WALL PROTECTOR IMPACT SOCKET (mm)	17, 19, 21

3PC 1/2"DR. NUT PROTECTOR IMPACT SOCKET SET

 1/2"



Item No.	3PC-03A-mm
BLOW CASE	L:158 x W:138 x H:51 mm
WEIGHT	830 (g)

CONTENT	
1/2"DR. 6-POINT PROTECTOR IMPACT SOCKET	17, 19, 21

Item No.	3PC-03A-SAE
BLOW CASE	L:158 x W:138 x H:51 mm
WEIGHT	830 (g)

CONTENT	
1/2"DR. 6-POINT PROTECTOR IMPACT SOCKET	3/4", 13/16", 7/8"

5PC 1/2"DR. NUT PROTECTOR IMPACT SOCKET SET

 1/2"



Item No.	5PC-11B1
BLOW CASE	L:240 x W:160 x H:52 mm
WEIGHT	1500 (g)

CONTENT	
1/2"DR. 6-POINT PROTECTOR IMPACT SOCKET	17, 19, 21, 22, 24

Item No.	5PC-11C
BLOW CASE	L:240 x W:160 x H:52 mm
WEIGHT	1500 (g)

CONTENT	
1/2"DR. 6-POINT PROTECTOR IMPACT SOCKET(mm)	17, 19, 21
1/2"DR. 6-POINT PROTECTOR IMPACT SOCKET(IN)	13/16", 7/8"

5PC 1/2"DR. NUT PROTECTOR IMPACT SOCKET SET

 1/2"



Item No.	5PC-11A
BLOW CASE	L:240 x W:160 x H:52 mm
WEIGHT	1085 (g)

CONTENT	
1/2"DR. 6-POINT PROTECTOR IMPACT SOCKET(mm)	17, 19, 21

3/8"(F)*1/2"(M) IMPACT ADAPTOR	
3/4"(F)*1/2"(M) IMPACT ADAPTOR	

8PC 1/2"DR. PROTECTOR IMPACT SOCKET SET

 1/2"



Item No.	8PC-22
BLOW CASE	L:308 x W:228 x H:72 mm
WEIGHT	2250 (g)

CONTENT	
1/2"DR. 6-POINT PROTECTOR IMPACT SOCKET(mm)	17, 19, 21

1/2"DR. 6-POINT PROTECTOR IMPACT SOCKET(IN)	13/16", 7/8", 15/16", 1", 1-1/16"
---	-----------------------------------

Socket & Wrench

Impact Socket

Air Chisels

Automotive Tools

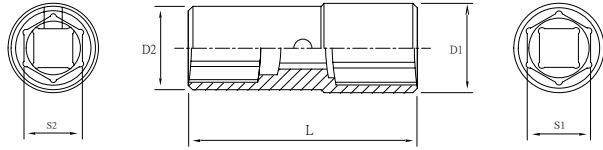
TIRE SERVICE TOOLS

EXTRA THIN WALL IMPACT SOCKET

1/2"DR. DEEP THIN WALL FLIP IMPACT SOCKET



1/2"

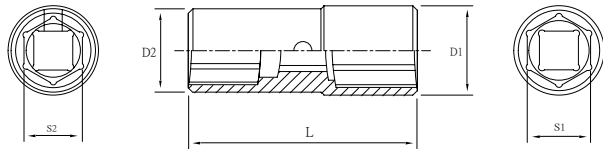


Item No.	S2 x S1	L (mm)	D2(mm)	D1 (mm)	G
ILMEH4612426	3/4" x 13/16"	76	28	30	200
ILMEH4612832	7/8" x 15/16"	83	32	34	268
ILMEH4613234	1" x 1-1/16"	83	36	38	336
ILMEH4621719	17mm x 19mm	76	26	28	181
ILMEH4621921	19mm x 21mm	76	28	30	201
ILMEH4622122	21mm x 22mm	76	30	32	250
ILMEH4632128	21mm x 7/8"	76	30	32	250

1/2"DR. DEEP EXTRA-THIN WALL FLIP IMPACT SOCKET



1/2"

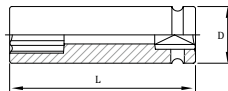


Item No.	S2 x S1	L (mm)	D2(mm)	D1 (mm)	G
ILTMEH4612426	3/4" x 13/16"	76	26	28	200
ILTMEH4612830	7/8" x 15/16"	83	30	32	268
ILTMEH4621719	17mm x 19mm	76	24	26	181
ILTMEH4621921A	19mm x 21mm	76	26	28	201
ILTMEH4622122	21mm x 22mm	76	28	30	250
ILTMEH4632128A	21mm x 7/8"	76	28	30	250

1/2"DR. EXTRA THIN WALL IMPACT SOCKET



1/2"



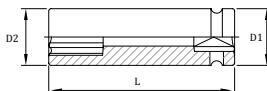
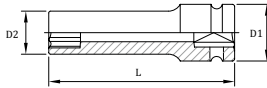
Item No.	S	L (mm)	D (mm)	G
IMT46217	17	55	23.4	114
IMT46219	19	55	25.4	135
IMT46221	21	55	27.4	117

Item No.	S	L (mm)	D (mm)	G
ILTMO46217	17	82	23.4	139
ILTMO46219	19	82	25.4	170
ILTMO46221	21	82	27.4	188

1"DR. EXTRA THIN WALL IMPACT SOCKET



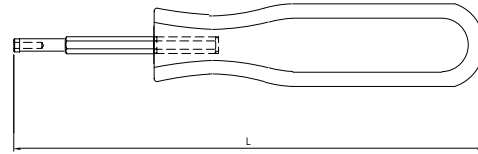
1"



Item No.	S	L (mm)	D1 (mm)	D2 (mm)	G
ILMET86134	1-1/16"	108	51	42.5	890
ILMET86136	1-1/8"	108	51	43.0	853
ILMET86140	1-1/4"	108	51	47.0	887
ILMET86142	1-5/16"	108	51	49.0	910

VALVE TOOL

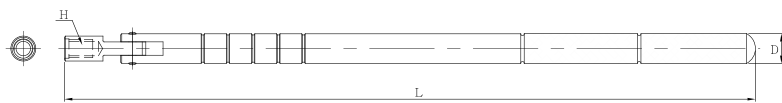
VALVE CORE REMOVER TORQUE TOOL



Item No.	L (mm)
VT43P	160

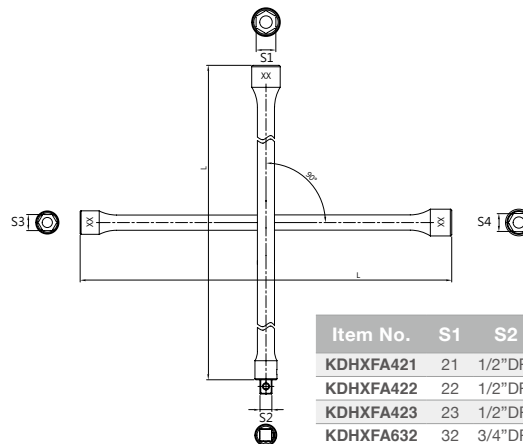
>> For inserting or removing valve cores.

VALVE STEM PULLER / INSTALLER



Item No.	H	L	D	G
CFHJE12	5/16"	12"	13	280

HEAVY-DUTY TRUCK LUG WRENCH - CROSS SPANNER



Item No.	S1	S2	S3	S4	L	G
KDHXFA421	21	1/2"DR.	17	19	395	1670
KDHXFA422	22	1/2"DR.	17	19	395	1684
KDHXFA423	23	1/2"DR.	17	19	395	1687
KDHXFA632	32	3/4"DR.	24	27	700	4738
KDHXFA633	33	3/4"DR.	24	27	700	4788

BODY SHOP

BODY TRIM TOOL SET

4PC DOOR SERVICE SET



Item No.	4PC-32
PS TRAY	L:580 x W:150 mm
WEIGHT	1.08 (kgs)

CONTENT
PLASTIC FASTENER REMOVER.
BENT HANDLE DOOR PANEL REMOVER.
DOOR UPHOLSTERY REMOVER.
18" LONG DOOR PANEL TOOL.

>> Designed for plastic fasteners of door panel.

Socket & Wrench

Impact Socket

Air Chisels

Automotive Tools

ENGINE SERVICE

DRAIN PLUG BITS

14PC 3/8"DR. DRAIN PLUG BITS SET

3/8"



Item No.	14PC-07-E
POUCH	L:380 x W:100 mm
WEIGHT	630 (g)

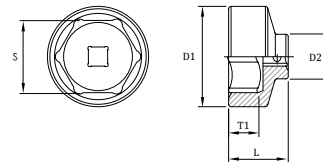
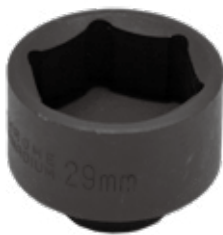
CONTENT	
3/8"DR. HEX	8, 9, 10, 12, 14, 17
3/8"DR. SQUARE	7, 8, 11, 13
3/8"DR. SQUARE (IN)	5/16", 3/8"
3/8"DR. FEMALE SQUARE	10
3/8"DR. MALE TRIANGLE	10

OIL FILTER IMPACT SOCKET

3/8" DR. OIL FILTER SOCKET



3/8"



Item No.	S	L (mm)	D1 (mm)	D2 (mm)	T1	G
ODF36224	24	30	34	22	16.5	95
ODF36227	27	30	38	22	16.5	112
ODF36229	29	30	40	22	16.5	119
ODF36232	32	30	42	22	16.5	121
ODF36236	36	30	48	22	16.5	152
ODF36238	38	30	50	22	16.5	163

6PC 3/8" DR. OIL FILTER SOCKET SET



3/8"

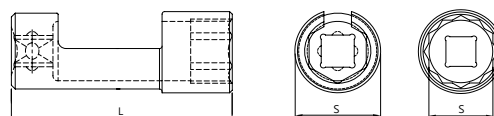


Item No.	6PC-48
BLOW CASE	L:158 x W:138 x H:51 mm
WEIGHT	900 (g)

CONTENT	
6PC 3/8"DR. 6PT OIL FILTER SOCKETS (30L) (CR-V 50BV30)	
24mm	OIL FILTER SOCKET FOR USE ON BUICKS WITH WT-V6 ENGINES, RENDEZVOUS ULTRA, LACROSSE CSX, CADILLAC WT-V6-CTS, STS, SRX AND SATURN L3000.
27mm	OIL FILTER SOCKET FOR USE ON CADILLAC STS 3.2L V6 AND MERCEDES BENZ 1.8L I4 AND VW ENGINES.
29mm	OIL SOCKET FOR USE ON DODGE CUMMINS FUEL FILTER HOUSING 14700.
32mm	OIL SOCKET FOR USE ON GM ECOTEC AND SAAB AND SATURN ENGINES.
36mm	OIL SOCKET FOR USE ON AUDI AND VW MODELS AND BMW M52, M60, M70, MB, OM604, OM605, OM606 AND VOLVO AND FORD TRUCKS ENGINES.
38mm	OIL FILTER SOCKET FITS VAUXHAUL VECTRA 2.0L DIESEL ENGINES.

1/2"DR SENSOR SOCKET

1/2"

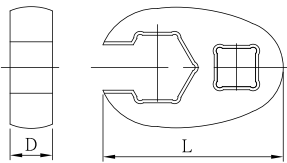


Item No.	Type	S	L	G
DDS4622285	6PT	22	85	205
DDS46222110	6PT	22	110	232
DDS4722785	12PT	27	87	259
DDS47227110	12PT	27	110	240

CROWFOOT WRENCH

3/8"DR. CROWFOOT WRENCH

3/8"



Item No.	S	L(mm)	D(mm)	G
Y3210	10	38	26.5	42
Y3211	11	38	26.5	42
Y3212	12	38	26.5	44
Y3213	13	38	26.5	40
Y3214	14	42	30	54
Y3215	15	42	30	52
Y3216	16	42	30	59
Y3217	17	47	35	76
Y3218	18	47	35	74
Y3219	19	47	35	74

Item No.	S	L(mm)	D(mm)	G
Y3112	3/8"	38	26.5	42
Y3114	7/16"	38	26.5	44
Y3116	1/2"	38	26.5	44
Y3118	9/16"	42	30	54
Y3120	5/8"	42	30	59
Y3122	11/16"	47	35	78
Y3124	3/4"	47	35	75
Y3128	7/8"	52	40	103

Socket & Wrench

Impact Socket

Air Chisels

CROWFOOT WRENCH SET

8PC 3/8"DR. CROWFOOT WRENCH SET (SAE)

3/8"



Item No.	8PCS
DOUBLE BLISTER	L:380 x W:145 mm
WEIGHT	510 (g)

CONTENT	
3/8"DR. CROWFOOT WRENCH	3/8", 7/16", 1/2", 9/16", 5/8", 11/16", 3/4", 7/8"

Automotive Tools

10PC 3/8"DR. CROWFOOT WRENCH SET (mm)

3/8"



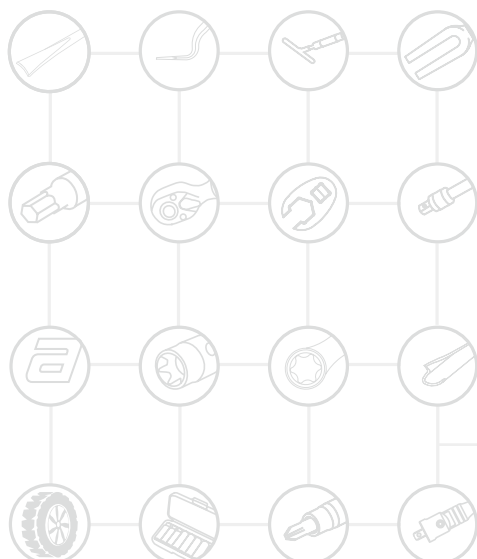
Item No.	10PCM
DOUBLE BLISTER	L:380 x W:145 mm
WEIGHT	525 (g)

CONTENT	
3/8"DR. CROWFOOT WRENCH	10, 11, 12, 13, 14, 15, 16, 17, 18, 19



AIR CHISEL SERIES

AIR TOOLS


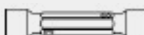



Don't see what you need

This catalog contains 3,000+ of the most frequently requested bits, sockets and fastening accessories. If the tool you need does not appear in this catalog, send us the mail or visit our website.

www.tien-i.com



TEST TORQUE						
DIN ISO 1711-1(minimum guaranteed values) N-m						
		Sockets			Box Wrench	
M	6 mm					
		6.3	10	12.5	20	25
		1/4"	3/8"	1/2"	3/4"	1"
M2	4	10.4				
M2.2	4.5	12.6				
M2.5	5	15.1				
M3	5.5	17.8				14.4
M3.5	6	20.6	23.2			17.6
M4	7	26.8	33.2			25.2
M5	8	33.6	45.5	94.1		34.5
	9	41.1	59.9	119.2		45.4
M6	10	49.1	76.7	147		58.1
M7	11	57.8	96	178		72.7
	12	67	118	212		89.1
M8	13	68.6	141	249		107
	14	68.6	169	288		128
M10	15		198	331		150
	16		225	377		175
	17		225	425		201
M12	18		225	477		230
	19		225	531		261
	20		225	569		294
M14	21		225	569		330
	22		225	569	569	368
	23			569	569	408
M16	24			569	569	451
	25			569	583	496
	26			569	624	544
M18	27			569	665	594
	28			569	707	647
M20	30			569	795	760
M22	32			569	888	884
	34			569	984	1019
M24	36				1084	1677
M27	41				1353	1910
M30	46				1569	2143
M33	50				1569	2329
M36	55				1569	2562
M39	60				1569	2795
M42	65					2795
M45	70					2795
M48	75					2795
M52	80					2795
M56	85					
M60	90					
M64	95					

TEST TORQUE					
DIN ISO 4762(minimum guaranteed values) N-m					
		Bit socket			
6 mm					
	6.3	10	12.5	20	25
	1/4"	3/8"	1/2"	3/4"	1"
1.5					
2	1.9				
2.5	3.8				
3	6.6				
4	16	16	16		
5	30	30	30		
6	52	52	52		
7		78	78		
8	120	120	120		
9			165		
10		220	220		
12			370		
14			590	590	
17			1000	1000	1000
19			1400	1400	1400
22				2100	2100
24					2700

ABOUT TIEN-I



Company Name	Tien-i Industrial Corporation Limited
Established Year	2004
Business Registration Code	80646988
Employee	100
Sales Representative	Candice Jiang Ginny Lien Ring Ku Tannis Huang
Language	English, Mandarin
Country	Taiwan R.O.C.
Address	No. 43, Gongyequ 23rd Rd., Nantun Dist., Taichung City 40850, Taiwan (R.O.C.)
Factory Size	9000 Square Meter

About Tien-i

In 2004, Larry Lee and Shaio-Pao partnered with 10 industry leaders to found Tien-I, a socket manufacturing firm based in Taichung, Taiwan. Having established a reputation for creating quality tools across the last 15 years, the company has continued to expand its product range and to nurture customer relationships. Presently, Tien-I supplies its global clients with over ten thousand items, including socket tool kits,

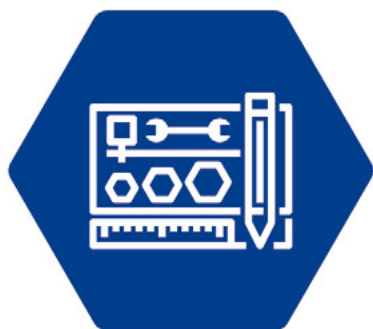
impact sockets, air chisels, tube tools, and automotive tools.

Clients include leading German and American tool brands in the aviation, automobile and solar industries, as well as Japanese machine companies. We consider ourselves more than a supplier—we would like to be your partner in creating an enduring brand.





WHY TIEN-I



CUSTOM SOCKET SET

Tien-i Taiwan Excellence Award-winning Team Provide a Variety of Customized Tool Sizes.



FOR PRO BRANDS

Supply to Fortune 500 Companies. Top Tool Brands Assigned for the Aviation, High-tech Machine Company.



TRANSPARENT FACTORY

With Secure Score from D&B Financial Report, Pass Intertek Factory Audit Pass, and Provide Trackable Quality Report.

From Concept to Component

Tien-i's R&D engineering team specializes in manufacturing precision metal parts, especially cold forged and tube components. From the beginning of the design phase, the engineers work with our clients to transform the product concept into a manufacturable component.

Our engineers have the expertise to improve quality, accelerate time to market, and reduce waste. We offer consulting assistance to minimize cost without compromising on performance.



Tailored for Your Market

Which tool kit is more successful in your market—the 446pc Master Tools Kit or the 36pc Professional Socket Set?

Decades of experience have shown us that the determining factors are: relevance of contents; and appeal and durability of packaging. With over 20,000 tools in our warehouse, Tien-i wholly customizes the contents of your tool sets. Based on the demands of your local market preference, our team will handpick the ideal selection of tools and packaging.

Exclusive molds are available on request.

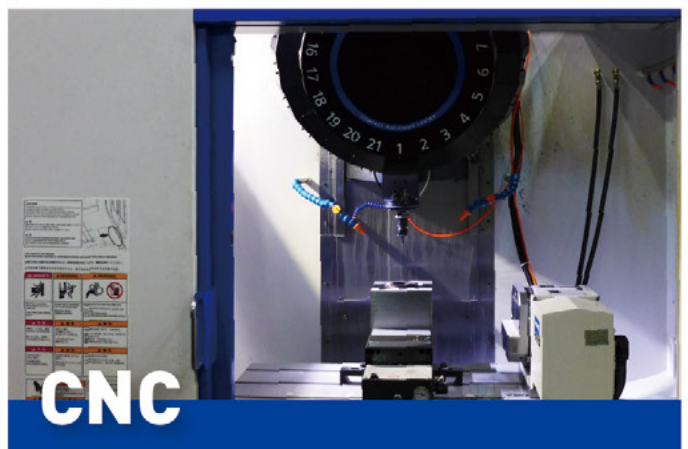
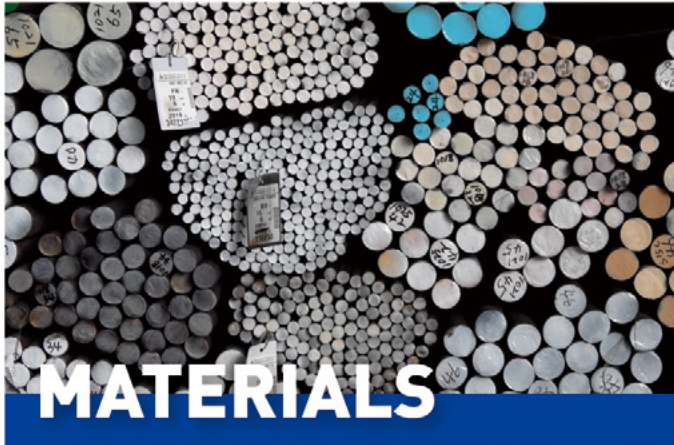


100% Made in Taiwan for Pro Brands

In order to swiftly provide the products to companies all over the world, we are continuously increasing our manufacturing capacity in Taiwan. We have heavily invested in the machines

and molds to keep optimizing our production process. Managing our supply chain management via IT and ERP systems enables us to provide our global clients with over 20,000 SKU daily.

Our Major Processes Include:





QUALITY AND SAFETY ASSURANCE

To uphold the company's core values of integrity and reliability, Tien-I strives always to provide its clientele with tools of unsurpassed quality and meeting stringent safety standards. We have ISO 9001 and ROHS certification, and

our factories have passed the Intertek Audit. Each member of our quality control team has undergone SGS training to ensure that every Tien-I product satisfies DIN, ISO and ANSI/ASTM international standards.

Our Certificate



ISO
9001:2015



Supplier Qualification
Program



Made in
Taiwan



Taiwan
Excellence

Our Lab Equipment

- 1. Salt Spary Machine**
Test for Thickness of Plating
- 2. Torsion Test Machine**
Life-test & Ultimate Torque
- 3. Hardness Machines**
Test Material's Hardness
- 4. Optical Projector**
Measure Precise Dimension in μm Level
- 5. Measure Specification**
- 6. Complete and Sophisticated Gauges**
- 7. Standard, Key to Quality**



天藝工業股份有限公司 Tien-i Industry Co.
Taiwan Leading Hand-Tool Maker

www.tien-i.com